

I T A L I A N A



1 2 3 4 5 6

I T A L I A N A

OTL'S ANSWER TO THE HIGH DEMAND FOR DURABILITY, FLEXIBILITY AND FULL REFRIGERATION NEEDS, TOGHTER WITH A UNIQUE ITALIAN DESIGN.







OTIELLE ITALIANA





OTIELLE ITALIANA

AVAILABILITY • GELATO/ICE-CREAM • DELI • PASTRY/LOW TEMP • GRAB-N-GO



A SWEET SHOWCASE IN A SWEET WORLD!

O T I E L L E

1

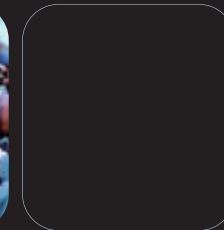
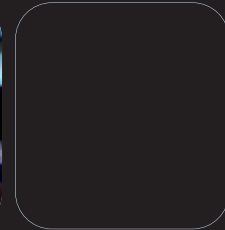
2

3

4

5

6





ITALIANA 1 COMBI

G R A B - N - G O

ITALIANA 2







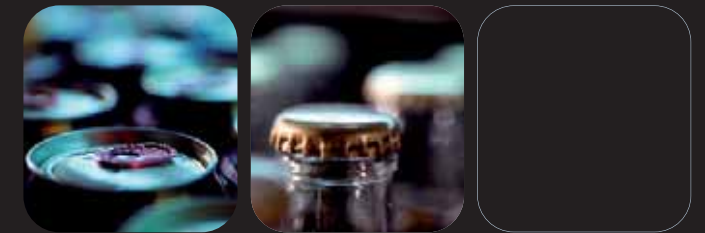




STANDARD FEATURES:

- ALL METAL CONSTRUCTION
- GRAB-N-GO CABINETS TO ALIGN WITH GELATO/ICE-CREAM PASTRY, DELI/HOT AND CORNERS
- FULL REFRIGERATION ON ALL SHELVES FOR LOW AND MEDIUM TEMPERATURE MODELS
- ELECTRONIC CONTROL BOARD WITH DIGITAL THERMOMETER/THERMOSTAT
- INTERIOR COSTRUCTION WITH STAINLESS STEEL
- INSULATED WITH NON-CFC ECOLOGICAL POLYURETHANE FOAM
- UNIQUELY DESIGNED HINGED FAN AND EVAPORATOR DOOR FOR EASY CLEANING
- HEAVY DUTY DOUBLE PANE SERVICE DOORS ON MEDIUM TEMPERATURE MODELS
- DOUBLE PANED FRONT AND SIDE GLASSES (HEATED ON LOW TEMPERATURE MODELS)
- HYDRAULIC, LIFT-UP FRONT GLASS ON THE COMBI AND MEDIUM TEMPERATURE MODELS

O T I E L L E | T E C H N O





ALL METAL CONSTRUCTION
 ONLY THE HIGHEST QUALITY MATERIALS ARE USED, INSURING THE INTEGRITY OF THE PRODUCT IT IS DESIGNED TO PRESENT AND PROTECT:

- INTERIOR CONSTRUCTION WITH STAINLESS STEEL INSULATED WITH NON-CFC ECOLOGICAL POLYURETHANE FOAM
- GALVANIZED METAL CHASSIS
- ALL CABINETS CAN BE JOINED TO FORM A CONTINUOUS "LINE-UP"

- HEAVY DUTY DOUBLE PANE SERVICE DOORS ON MEDIUM TEMPERATURE MODELS



DIGITAL CONTROLS
 ITALIANA UTILIZES AN ELECTRONIC CONTROL BOARD WITH DIGITAL THERMOMETER/THERMOSTAT, PROVIDING:

- TEMPERATURE ACCURACY
- PROGRAMMABLE DEFROSTING
- DIAGNOSTIC CAPABILITY (ELIMINATING NEED FOR MECHANICAL DEFROST CLOCKS)



- SHELVING/LIGHTING**
- ALUMINUM HOUSING UNITS
 - STAINLESS STEEL BRACKETS
 - FLORESCENT TB LIGHTING
 - 10 DEGREE SHELF TILT CAPABILITY



• HEAVY DUTY PLEXIGLAS
FRONT (FOR GRAB-N-GO CABINETS)

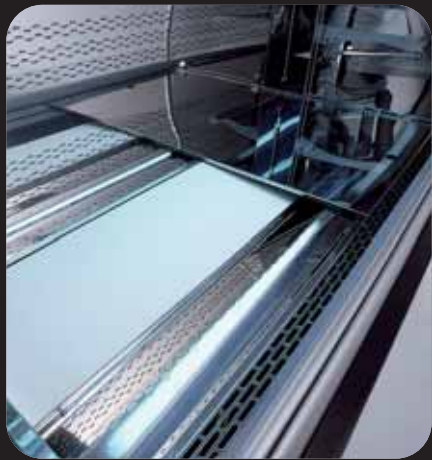




CLEANING VERY EASY TO CLEAN EVEN IN THE COMBI MODEL WITH REMOVABLE TRAYS



FLEXIBILITY VERY EASY TO CHANGE FROM 2 TO 3 SHELVES



CLEANING CLEANING THOSE "HARD TO REACH" AREAS, UNDER THE DECK OF CABINETS, IS FACILITATED WITH ITALIANA'S UNIQUELY DESIGNED HINGED FAN AND EVAPORATOR DOOR DESIGN

SECTION FORCED AIR

SECTION NON REFRIGERATED

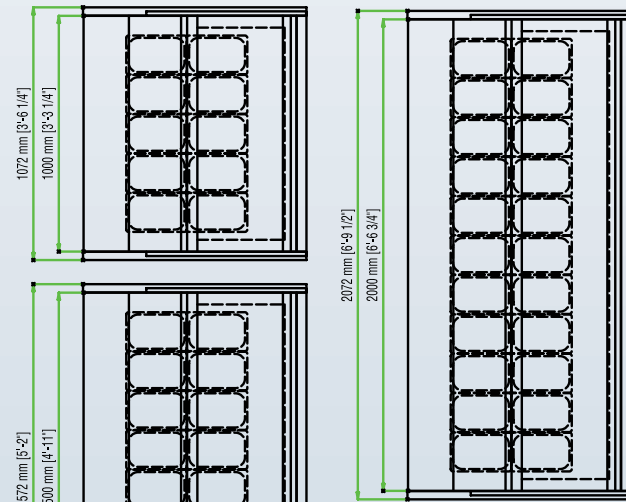
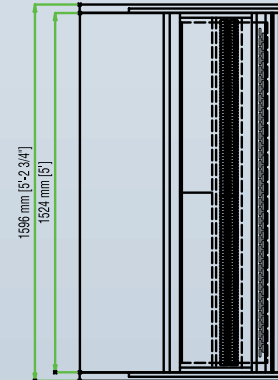
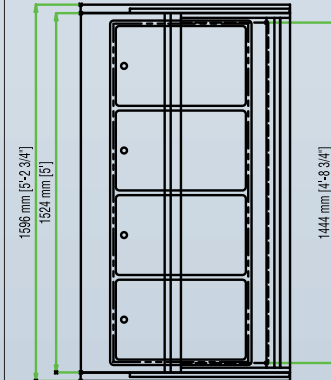
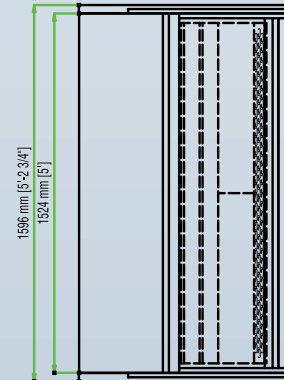
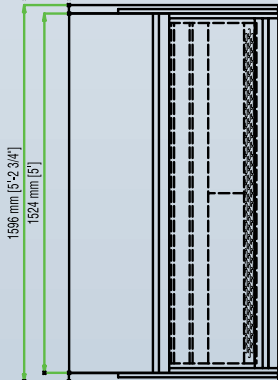
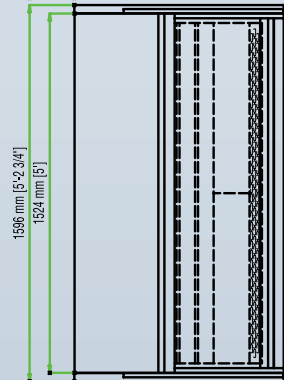
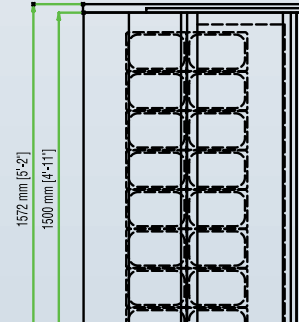
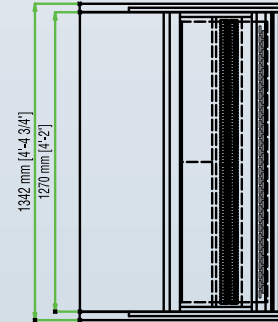
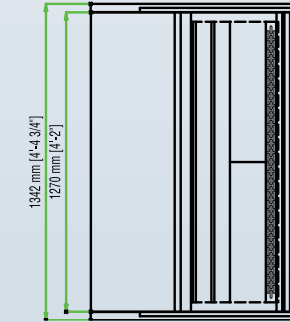
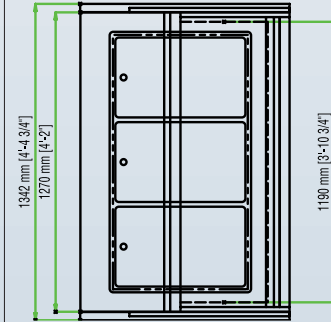
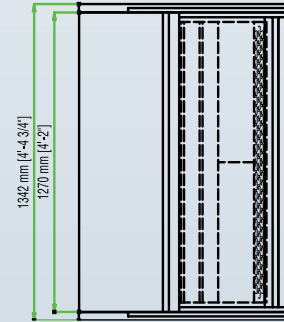
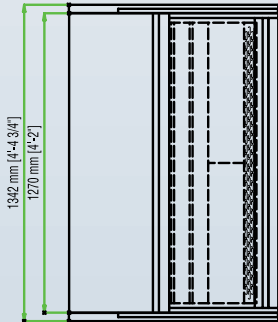
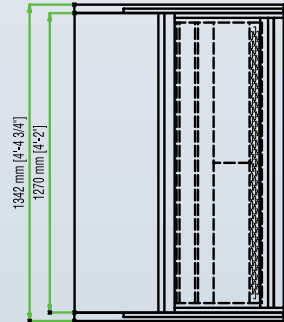
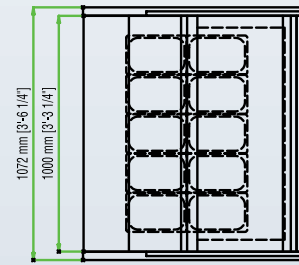
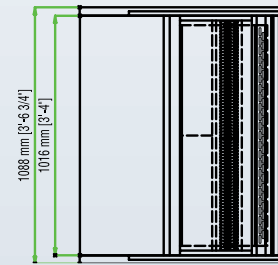
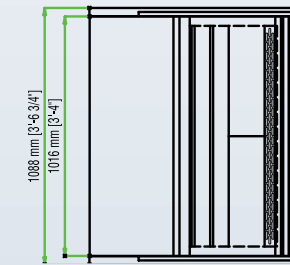
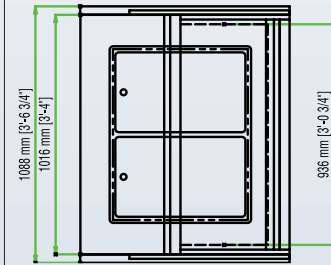
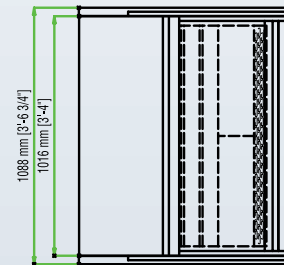
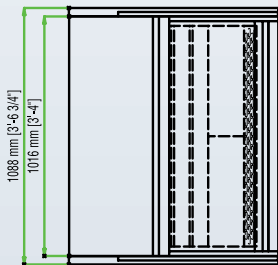
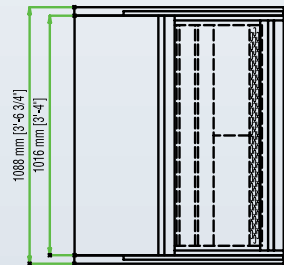
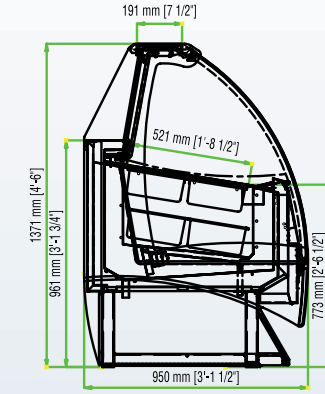
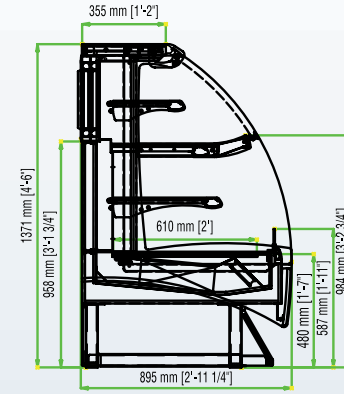
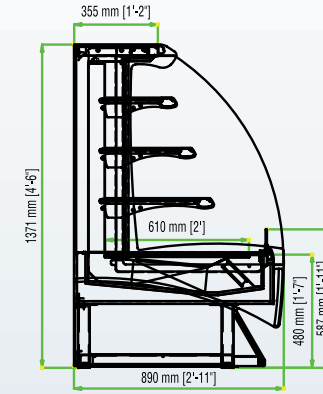
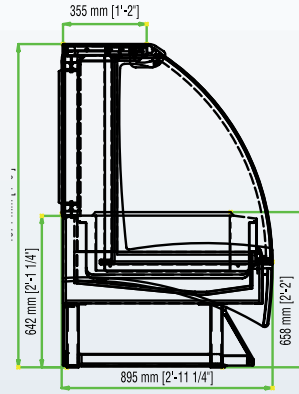
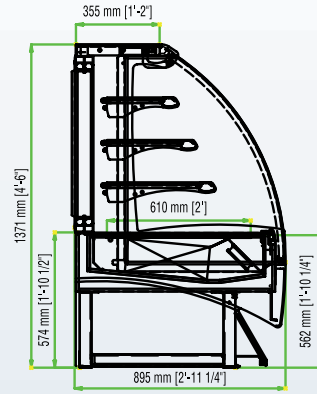
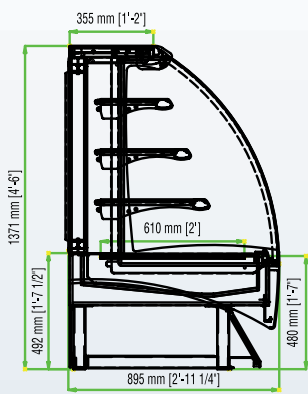
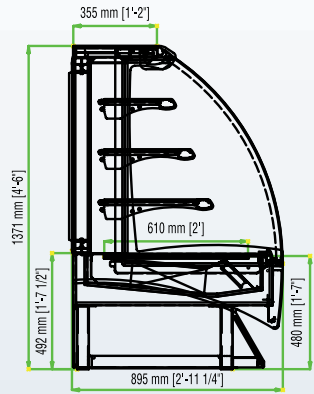
SECTION LOW TEMP

SECTION BAIN MARIE

SECTION GRAB-N-GO

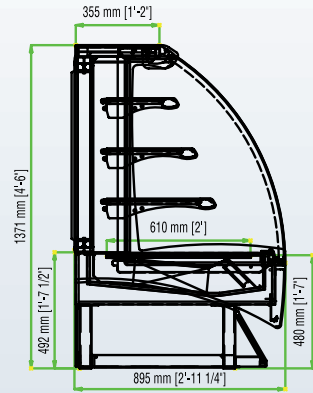
SECTION COMBI

SECTION GELATO

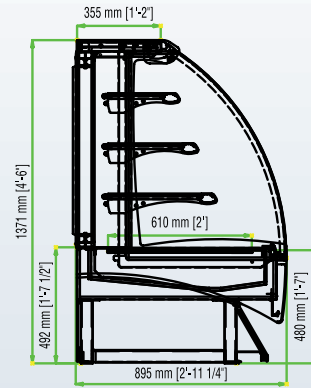


SERVICE

SECTION FORCED AIR

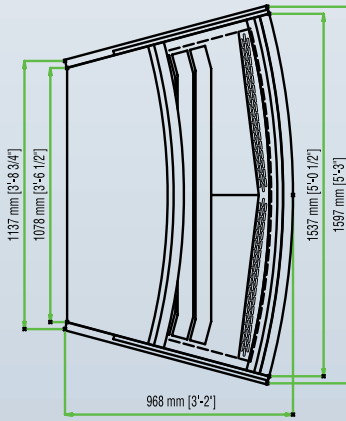
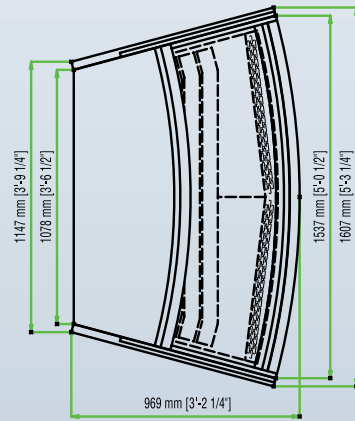
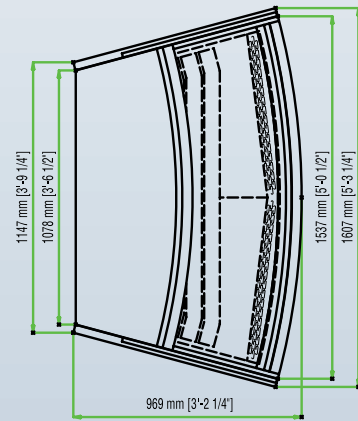
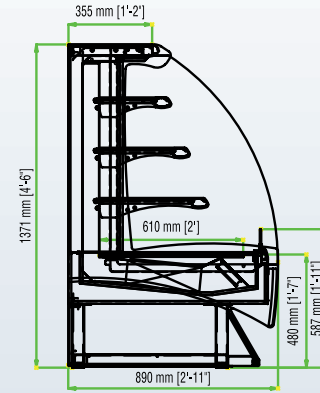


SECTION NON REFRIGERATED



GRAB-N-GO

SECTION GRAB-N-GO



design
STUDIO POLIPO

art direction
LIFE

graphics
LIFE

photo
LIFE

selection
DEF

printing
SE.GRAF

LISTINGS



ELECTRICAL CONNECTION

Display cases are shipped with applicable junction box for hardwired installation.

Options exist for several NEMA configurations.

Plug and/or receptacle configurations are at the discretion of the electrical installer.

BID SPECIFICS

Display case(s) _____ to be shipped fully assembled.

Display case(s) have integrated electronic time and temperature controller(s) with hot gas defrost standard. The standard warranty includes: 5-year compressor (only U.S. and Canada); 1-year parts; 90-days labor. Display case(s) to be laboratory certified as described in 'LISTINGS'. (See quotation for further detail)

NOTE

Required ambient conditions: 75° F; 55% RH.
Drawings and Specifications are subject to change without notice.



a brand of **CLABO NORTM AMERICA LLC**
33300 Central Av. - 94587 Union City (CA)
1.800.672.2784 - Fax 510.441.0401

<http://www.otl-usa.com>